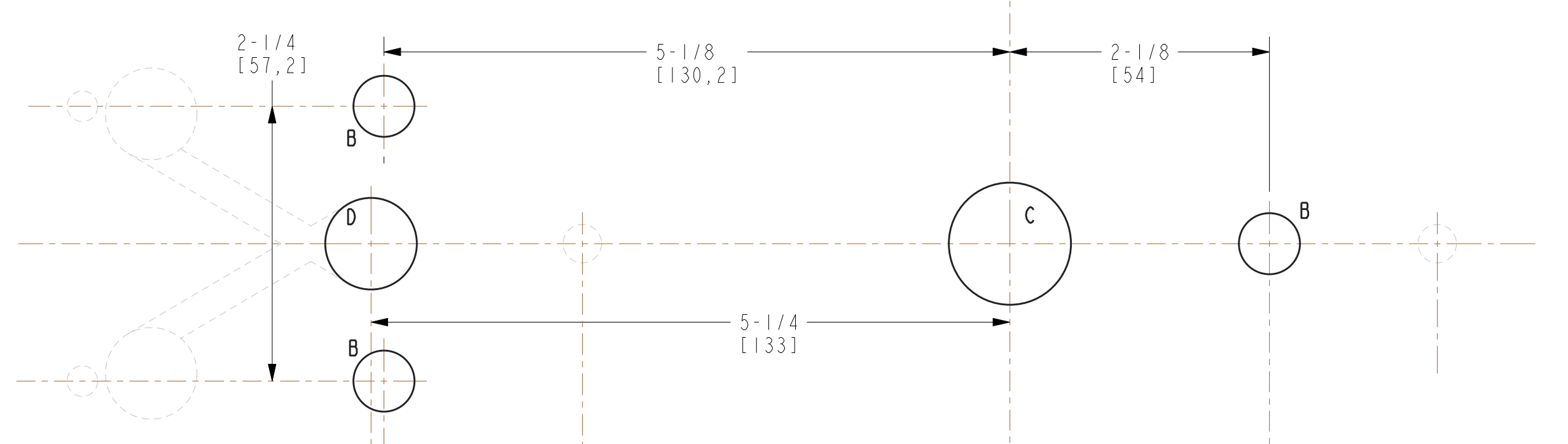
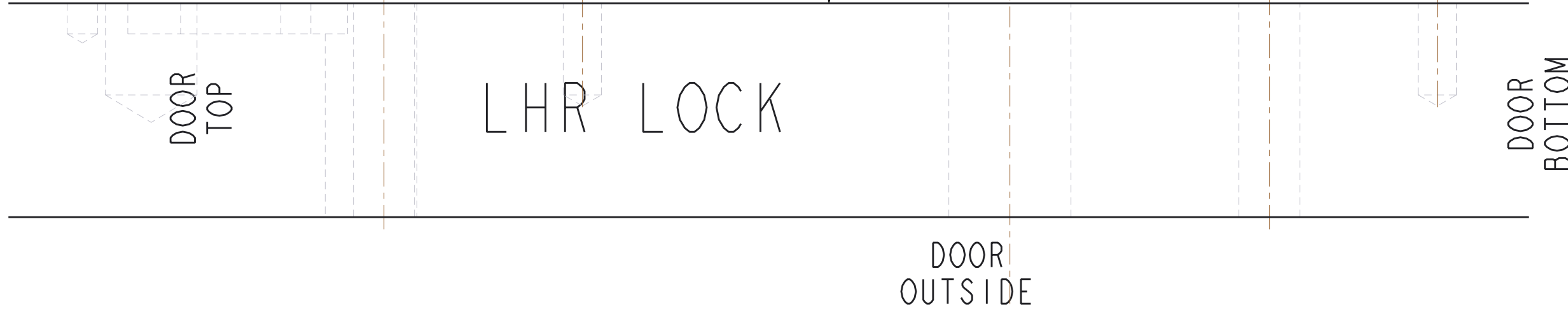


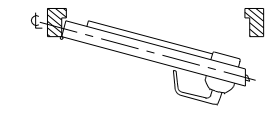
DO NOT REPRODUCE  
CONTACT CUSTOMER SUPPORT  
1-800-906-4526



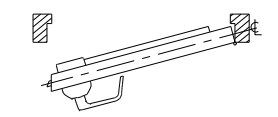
- NOTES:
- FOR DIMENSIONS AND TOLERANCES REFER TO CORRESPONDING DOOR PREPARATION DRAWING IP#.
  - FOR EXIT DEVICE AND MORTISE LOCK CUT-OUT REFER TO EXIT DEVICE MANUFACTURER INSTALLATION INSTRUCTIONS.
  - BACKSET SHOWN FOR REFERENCE ONLY, ADJUST BACKSET TO EXIT DEVICE MANUFACTURER INSTALLATION INSTRUCTIONS.
  - HOLES A: FROM THE INSIDE OF THE DOOR, DRILL HOLES (SEE TABLE)
  - SYMBOLS: -  $\nabla$  DEEP  
-  $\varnothing$  CENTER LINE OF DOOR  
-  $\varnothing$  DIAMETER  
-  $\rightarrow$  NOT TO SCALE
  - GROOVE TO DO ONLY ON SOLID DOORS. TO PASS WIRES INSIDE THE DOOR FOR HOLLOW DOORS.
  - ALL DIMS INCHES [mm]

HOLE ID	DIM INCH/(mm)	$\nabla$ INCH/(mm)	COMMENTS
A	$\varnothing$ 5/16 (7,95)	$\nabla$ 3/4 (19,05)	SEE NOTE #4
B	$\varnothing$ 1/2 (12,7)	*	-
C	$\varnothing$ 1 (25,4)	*	SEE NOTE #2
D	$\varnothing$ 3/4 (19,05)	*	-
E	$\varnothing$ 3/4 (19,05)	$\nabla$ 3/4 (19,05)	-
F	$\varnothing$ 1/4 (6,35)	$\nabla$ 1/4 (6,35)	-
X	1/4 (6,35)	$\nabla$ 1/4 (6,35)	SEE NOTE #6

\* UNLESS OTHERWISE NOTED, DRILL HALF DOOR THICKNESS ON BOTH SIDES.



LHR



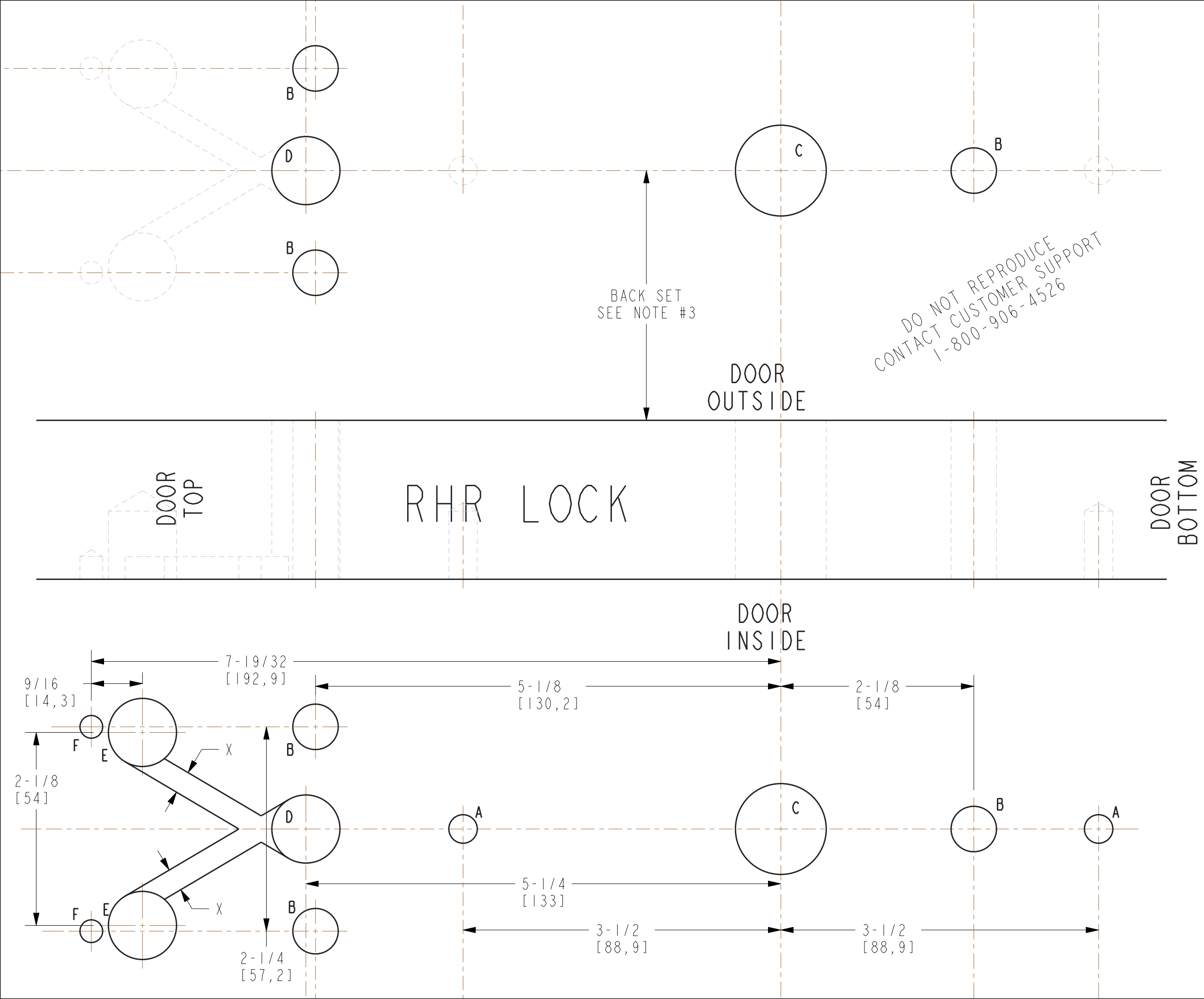
RHR

E7900 LOCK SERIES  
DRILLING TEMPLATE  
DETEX V40

**dormakaba**

www.kabalodgingsupport.com

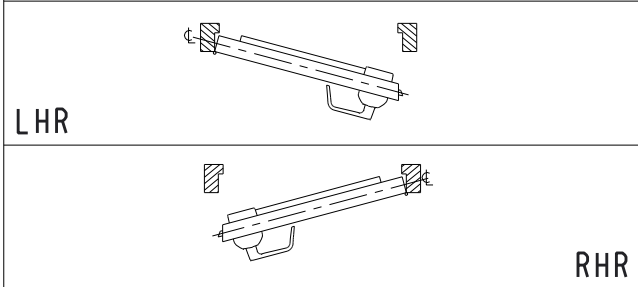
SHEET 1 OF 2	DATE 24SE2018	UNE VERSION FRANCAISE DE CE DOCUMENT EST DISPONIBLE SUR DEMANDE.
	ECN 16871	DT-516414 REV-1



- NOTES:
- FOR DIMENSIONS AND TOLERANCES REFER TO CORRESPONDING DOOR PREPARATION DRAWING 1P#.
  - FOR EXIT DEVICE AND MORTISE LOCK CUT-OUT REFER TO EXIT DEVICE MANUFACTURER INSTALLATION INSTRUCTIONS.
  - BACKSET SHOWN FOR REFERENCE ONLY, ADJUST BACKSET TO EXIT DEVICE MANUFACTURER INSTALLATION INSTRUCTIONS.
  - HOLES A: FROM THE INSIDE OF THE DOOR, DRILL HOLES (SEE TABLE)
  - SYMBOLS:
    - $\nabla$  DEEP
    - $\oplus$  CENTER LINE OF DOOR
    - $\varnothing$  DIAMETER
    - $\rightarrow$  NOT TO SCALE
  - GROOVE TO DO ONLY ON SOLID DOORS. TO PASS WIRES INSIDE THE DOOR FOR HOLLOW DOORS.
  - ALL DIMS INCHES [mm]

HOLE ID	DIM INCH/(mm)	$\nabla$ INCH/(mm)	COMMENTS
A	$\varnothing 5/16$ (7,95)	$\nabla 3/4$ (19,05)	SEE NOTE #4
B	$\varnothing 1/2$ (12,7)	*	-
C	$\varnothing 1$ (25,4)	*	SEE NOTE #2
D	$\varnothing 3/4$ (19,05)	*	-
E	$\varnothing 3/4$ (19,05)	$\nabla 3/4$ (19,05)	-
F	$\varnothing 1/4$ (6,35)	$\nabla 1/4$ (6,35)	-
X	$1/4$ (6,35)	$\nabla 1/4$ (6,35)	SEE NOTE #6

\* UNLESS OTHERWISE NOTED, DRILL HALF DOOR THICKNESS ON BOTH SIDES.



E7900 LOCK SERIES  
DRILLING TEMPLATE  
DETEX V40



www.kabalodgingsupport.com

SHEET 2 OF 2	DATE 24SE2018	UNE VERSION FRANCAISE DE CE DOCUMENT EST DISPONIBLE SUR DEMANDE.
	ECN 16871	DT-516414 REV-1